

TANDEM plus BLUMOTION 563F installation instructions

BLUMOTION

inside

Full extension concealed drawer runners

Basic components



Locking devices



Runners

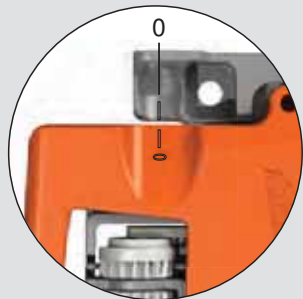
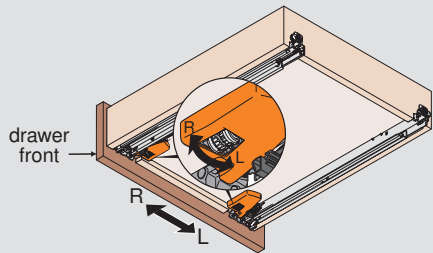


Rear attachment options



New side adjustment

1 Rotate side adjustment left or right equally on both locking devices. Drawer front moves in the same direction as rotation.

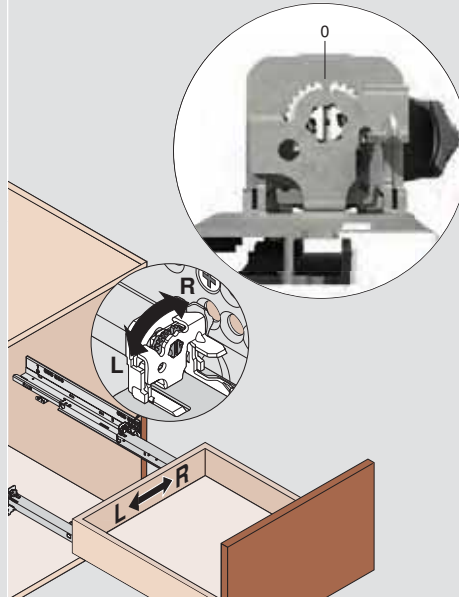


Maximum 1.5 (1/16") to left or right on both front and rear (tool-free)

NOTE: Side adjustment not available on T51.x8xx locking devices

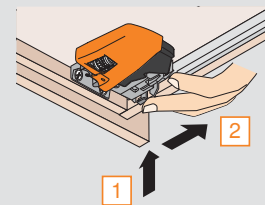
New rear side adjustment

2 After front side adjustment is made with the locking devices, rotate the rear side adjustment left or right to re-align the back of the drawer box with the front. Drawer back moves in the same direction as rotation.



Height adjustment

1 Press up on adjustment tab
2 Push towards back of drawer

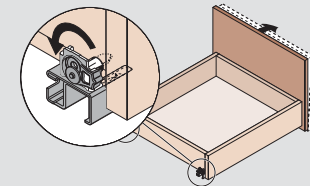


Maximum 3 (1/8") rise of drawer front (tool-free)

NOTE: Height and tilt adjustments available with all combinations of locking devices and runners

Tilt adjustment

Rotate the tilt adjustment lever on the rear of each runner to lift the back of the drawer and tilt the top of the drawer front forward.

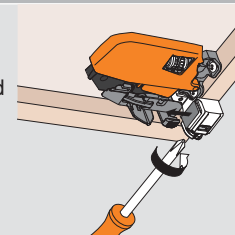


Maximum 5 (3/16") rise of drawer back (tool-free)

New depth adjustable locking device

Locking device

T51.1901.PS
with side, height and depth adjustment

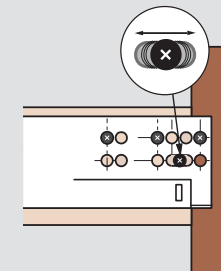


Turning the adjustment screw allows for up to a +2.5 (3/32") out adjustment

NOTE: For T51.1901.PS setback in inset applications, see page 5

Depth adjustment on runner

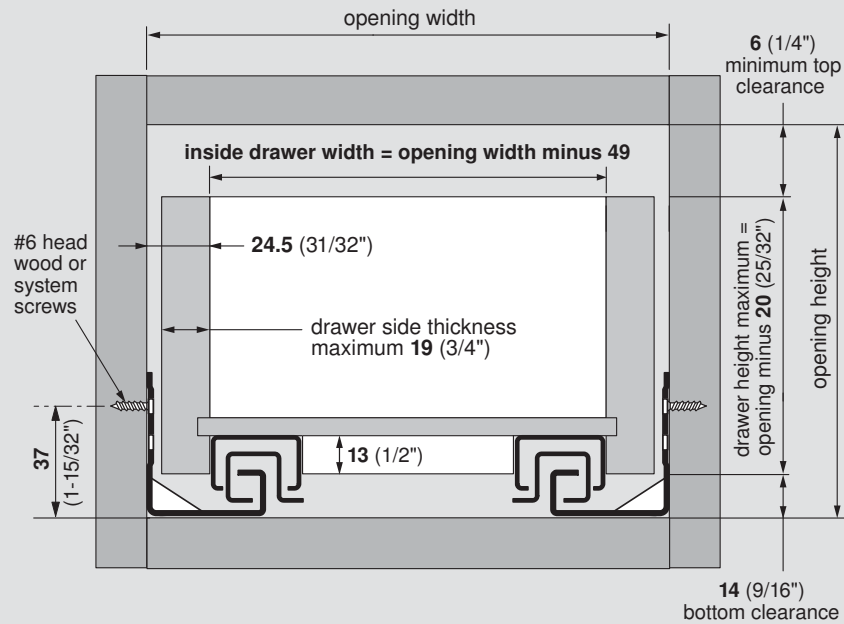
TANDEM 563 runners feature elongated holes that allow ±4.5 (3/16") depth adjustment



Drawer specifications

Face frame and panel cabinet applications

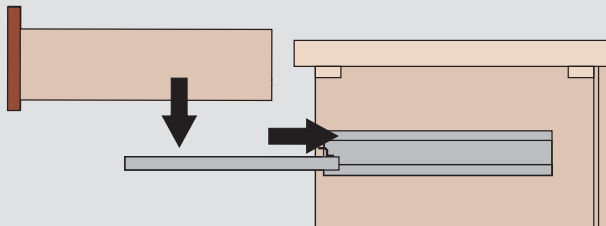
Front view



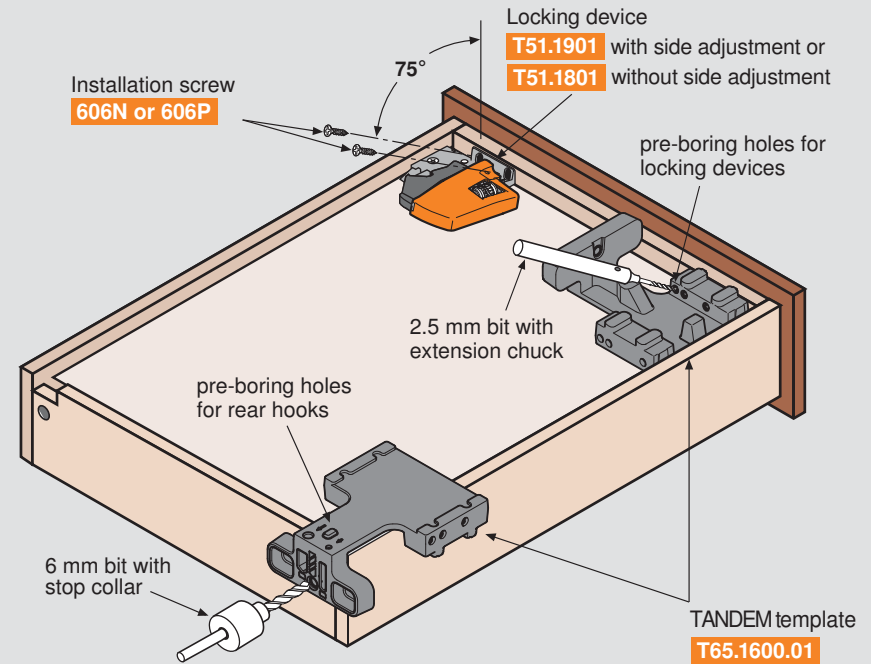
NOTE: Because material thickness may vary, the inside drawer width must equal opening width minus 49 for TANDEM to align and function properly

Drawer insertion

Extend the drawer runners fully. Place the drawer on the runners and close. The locking devices automatically engage with the runners. Make adjustments if necessary.



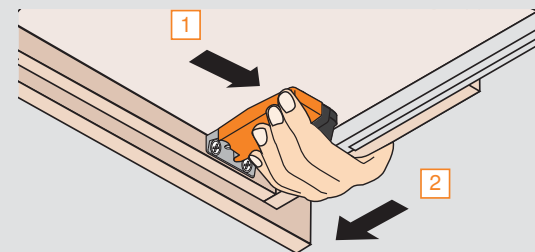
Preparing for hardware installation



NOTE: Use of the T65.1600.01 TANDEM template is essential for accurate location and angle of pre-bored locking device holes and accurate boring for rear hook holes

Drawer removal

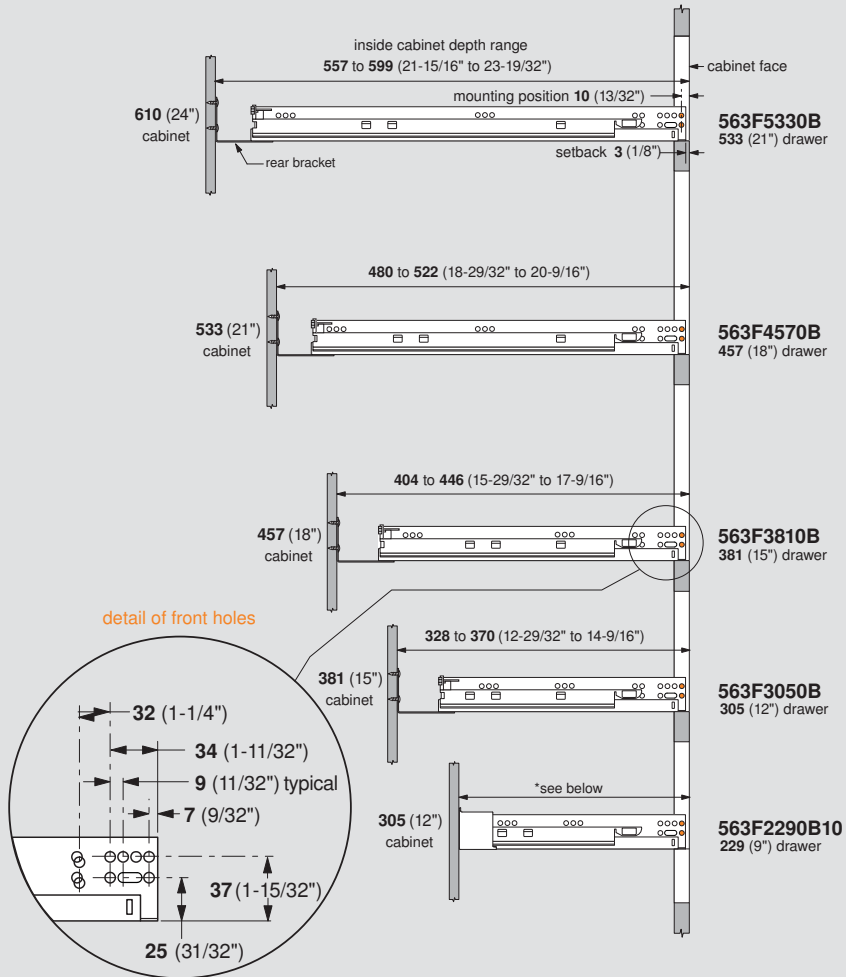
- 1 Squeeze orange handles on locking devices
- 2 Pull drawer straight out and up



Face frame application

Runner mounting specifications

Side view



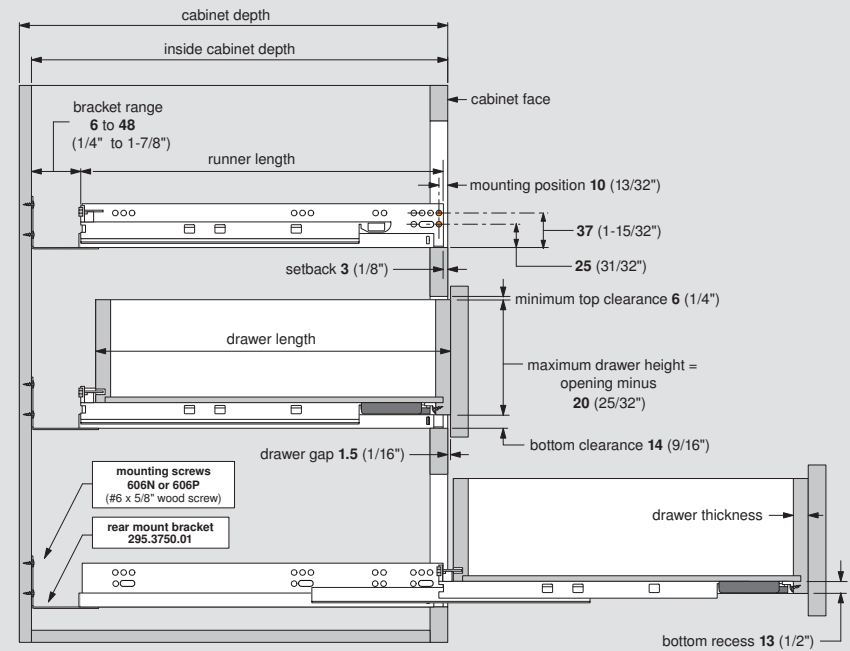
*bracket	maximum depth	minimum depth
295.3700.21	282 (11-3/32")	266 (10-15/32")
295.3700.22	299 (11-25/32")	283 (11-5/32")

NOTE: *These brackets are for 563F2290B10 only

NOTE: Orange dots indicate screw locations required to meet specified load capacities

Cabinet and drawer specifications

Side view



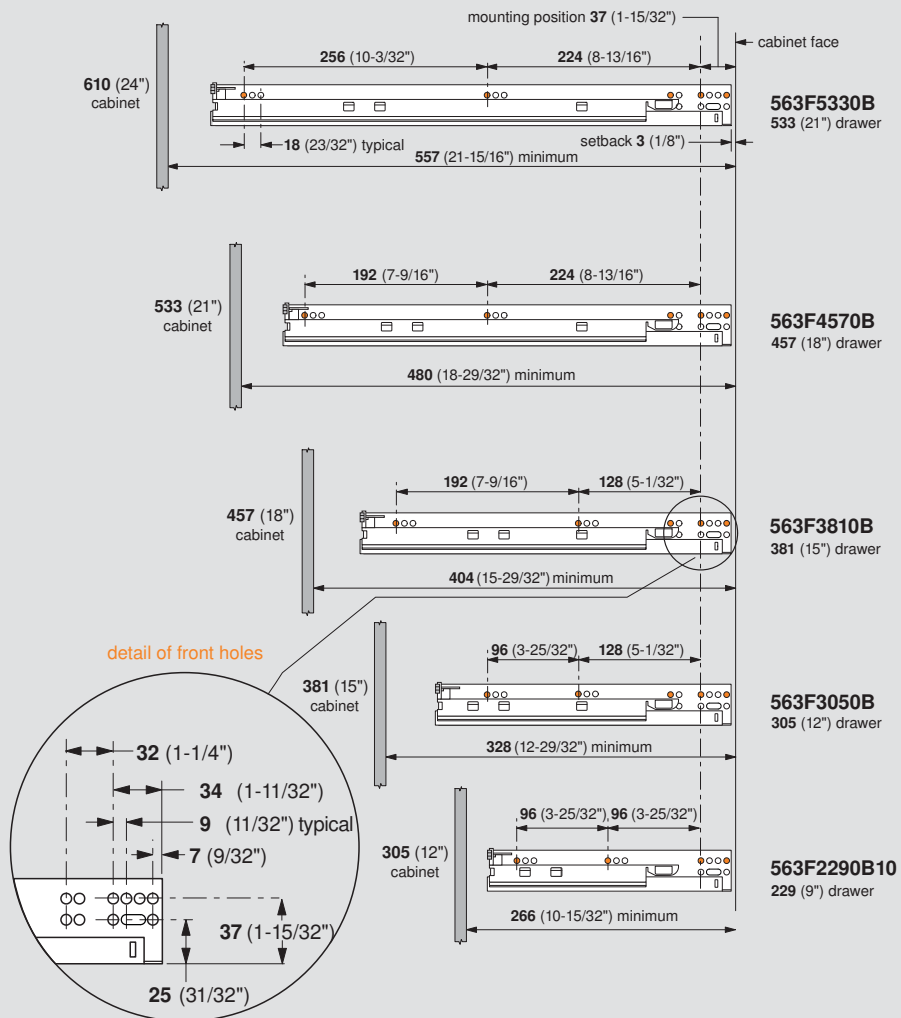
TANDEM plus BLUMOTION	cabinet depth	inside cabinet depth		drawer length	maximum drawer thickness	runner length
		maximum	minimum			
563F5330B	610 (24")	599 (23-19/32")	557 (21-15/16")	533 (21")	19 (3/4")	548 (21-9/16")
563F4570B	533 (21")	522 (20-9/16")	480 (18-29/32")	457 (18")		471 (18-17/32")
563F3810B	457 (18")	446 (17-9/16")	404 (15-29/32")	381 (15")		395 (15-9/16")
563F3050B	381 (15")	370 (14-9/16")	328 (12-29/32")	305 (12")		319 (12-9/16")
563F2290B10	305 (12")	299 (11-25/32")	266 (10-15/32")	229 (9")		259 (10-3/16")

T51.1901R	Locking device with side adjustment (right)	295.3750.01	Rear mounting bracket, non-handed
T51.1901L	Locking device with side adjustment (left)	295.3700.21	563F2290B10 rear bracket, non-handed
T51.1801R	Locking device (right)	295.3700.22	563F2290B10 rear bracket, non-handed
T51.1801L	Locking device (left)		
606N or 606P	#6 Wood screw (for mounting runner to cabinet side, rear brackets and locking devices)		

Panel application

Runner mounting specifications

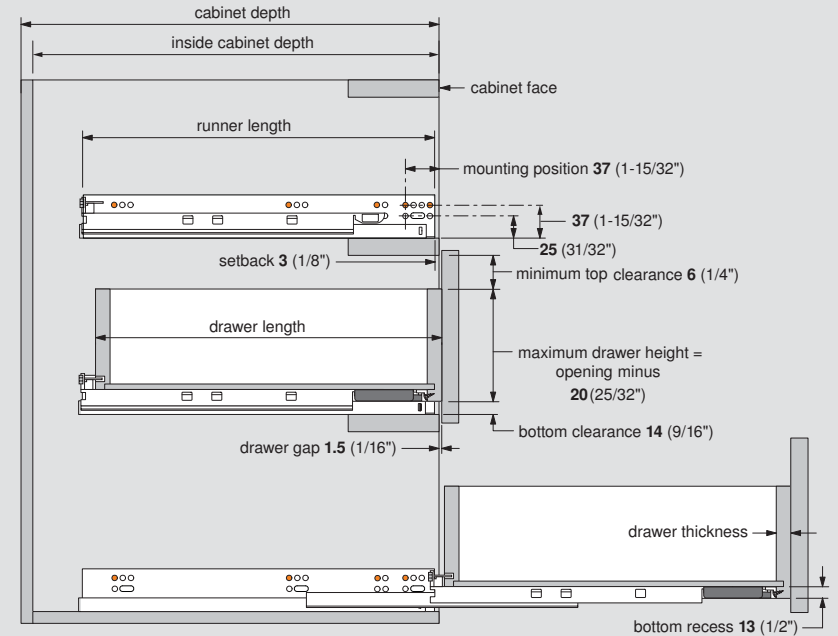
Side view



NOTE: Orange dots indicate screw locations required to meet specified load capacities

Cabinet and drawer specifications

Side view



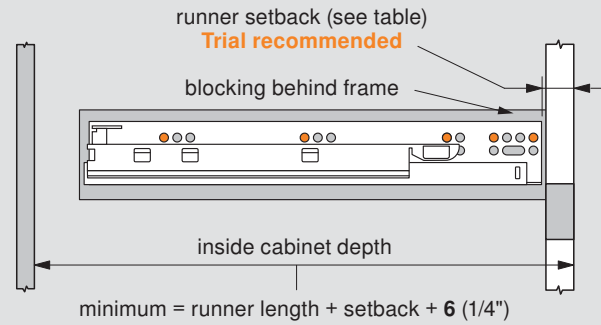
TANDEM plus BLUMOTION	cabinet depth	minimum inside cabinet depth	drawer length	maximum drawer thickness	runner length
563F5330B	610 (24")	557 (21-15/16")	533 (21")	19 (3/4")	548 (21-9/16")
563F4570B	533 (21")	480 (18-29/32")	457 (18")		471 (18-17/32")
563F3810B	457 (18")	404 (15-29/32")	381 (15")		395 (15-9/16")
563F3050B	381 (15")	328 (12-29/32")	305 (12")		319 (12-9/16")
563F2290B10	305 (12")	266 (10-15/32")	229 (9")		259 (10-3/16")

T51.1901R	Locking device with side adjustment (right)
T51.1901L	Locking device with side adjustment (left)
T51.1801R	Locking device (right)
T51.1801L	Locking device (left)
606N or 606P	#6 Wood screw (for mounting runner to cabinet side, rear brackets and locking devices)
662.1150.HG	#6 System screw (for mounting runner to cabinet side)

Inset application

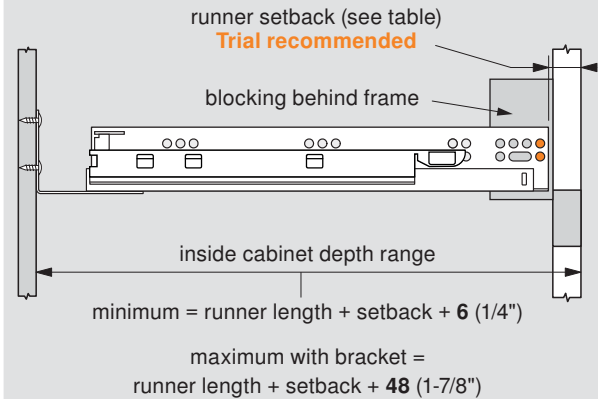
Face frame application — complete blackout

Side view



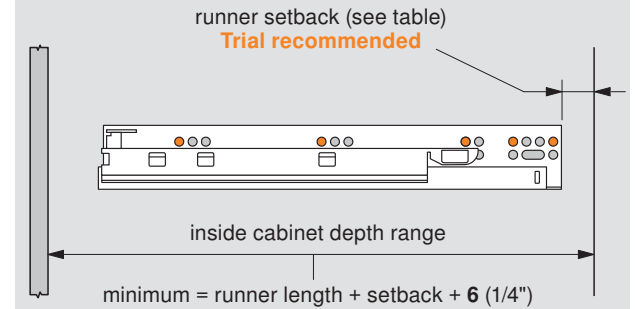
Face frame application — partial blackout

Side view



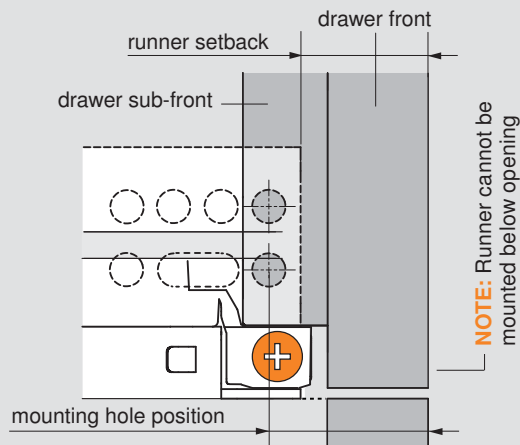
Panel application

Side view



Setback information

Side view



NOTE: For mounting hole position add 7 (9/32") to runner setback

Runner setback when using depth adjustable locking device (T51.1901.PS)

	563/569 F/A		runner setback			<ul style="list-style-type: none"> Setbacks in this table recess the face of the drawer front inside of the cabinet 1 (1/32") The depth adjustment can then be used to move the drawer front out to its desired position, 2.5 (3/32") out adjustment only
	sub-front thickness	13 (1/2")	17 (21/32")	20 (25/32")	23 (29/32")	
		16 (5/8")	20 (25/32")	23 (29/32")	26 (1-1/32")	
		19 (3/4")	23 (29/32")	26 (1-1/32")	29 (1-5/32")	
		16 (5/8")	19 (3/4")	22 (7/8")	drawer front thickness	
calculating runner setback	563/569 F/A	sub-front thickness + drawer front thickness minus 12 (15/32")				

Runner setback when using all other locking devices

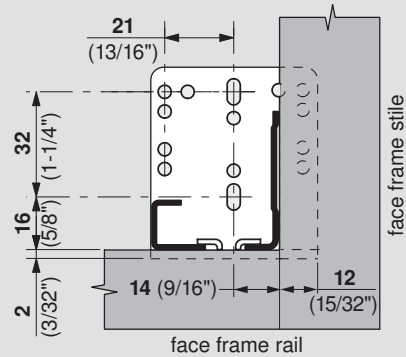
	563/569 F/A		runner setback			<ul style="list-style-type: none"> Setbacks in this table set the face of the drawer front flush with the face of the cabinet If a depth adjustable locking device is needed, please see the locking device and table above
	sub-front thickness	13 (1/2")	14.5 (9/16")	17.5 (11/16")	20.5 (13/16")	
		16 (5/8")	17.5 (11/16")	20.5 (13/16")	23.5 (15/16")	
		19 (3/4")	20.5 (13/16")	23.5 (15/16")	26.5 (1-1/32")	
		16 (5/8")	19 (3/4")	22 (7/8")	drawer front thickness	
calculating runner setback	563/569 F/A	sub-front thickness + drawer front thickness minus 14.5 (9/16")				

Attachment specifications

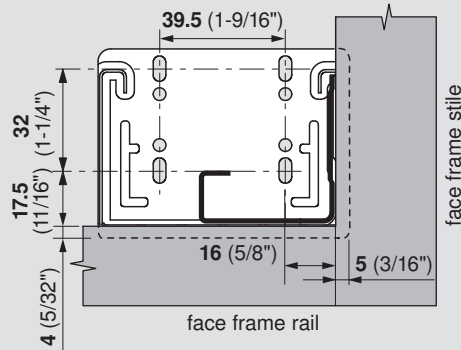
Rear attachment options for face frame applications

Front view

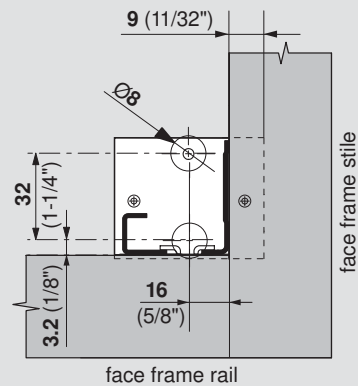
295.3750.01 rear mounting bracket, non-handed



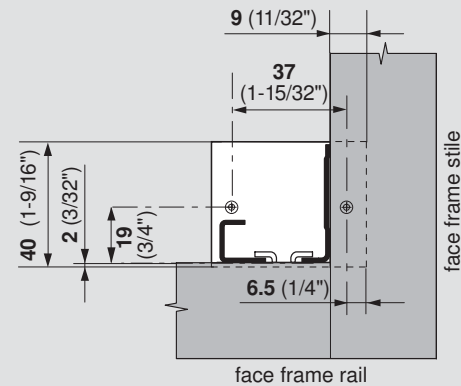
295.3700.2x for 563F2290B10, non-handed



295.6410 Plug-in socket, non handed



295.6400 Screw-on socket, non handed



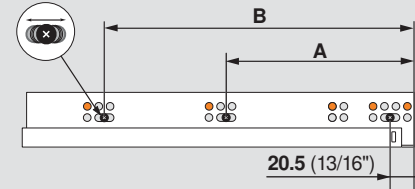
NOTE: Use at least three 606N or 606P installation screws for 295.3750.01 or 295.3700.2x

Millimeter to inch conversion chart

1	1.5	2	3	4	5	5.5	6	7	8	9	9.5	10	11	12	13	13.5	14	15	16	17	17.5	18	19	20	20.5	21	22	23	24	24.5	25.4
1/32	1/16	3/32	1/8	5/32	3/16	7/32	1/4	9/32	5/16	11/32	3/8	13/32	7/16	15/32	1/2	17/32	9/16	19/32	5/8	21/32	11/16	23/32	3/4	25/32	13/16	27/32	7/8	29/32	15/16	31/32	1

Depth adjustment specifications

Side view



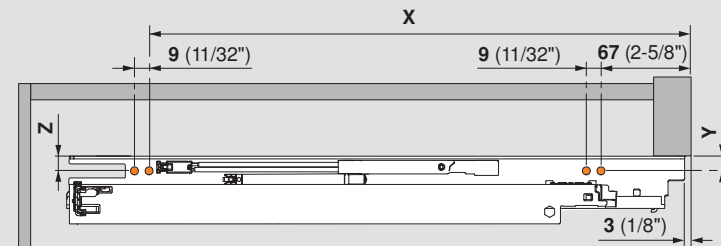
TANDEM plus BLUMOTION	A	B
563F5330B	244.5 (9-5/8")	500.5 (19-23/32")
563F4570B	244.5 (9-5/8")	436.5 (17-3/16")
563F3810B	148.5 (5-27/32")	340.5 (13-13/32")
563F3050B	148.5 (5-27/32")	244.5 (9-5/8")
563F2290B10	116.5 (4-19/32")	212.5 (8-3/8")

Mount each runner using at least two of the elongated holes. Install the drawer to check the position of the drawer front.

Remove the drawer, loosen screws and make adjustments if necessary, ± 4.5 (3/16"). Tighten the screws, verify the drawer front position and finish mounting the runners using the screw locations indicated by the orange dots.

Bottom mounting specifications

Top view



TANDEM plus BLUMOTION	drawer length	minimum inside cabinet depth	X	Y	Z
563F5330B	533 (21")	557 (21-15/16")	448 (17-5/8")	15.5 (5/8")	22.5 (7/8")
563F4570B	457 (18")	480 (18-29/32")	378 (14-7/8")	15.5 (5/8")	22.5 (7/8")
563F3810B	381 (15")	404 (15-29/32")	319 (12-9/16")	15.5 (5/8")	22.5 (7/8")