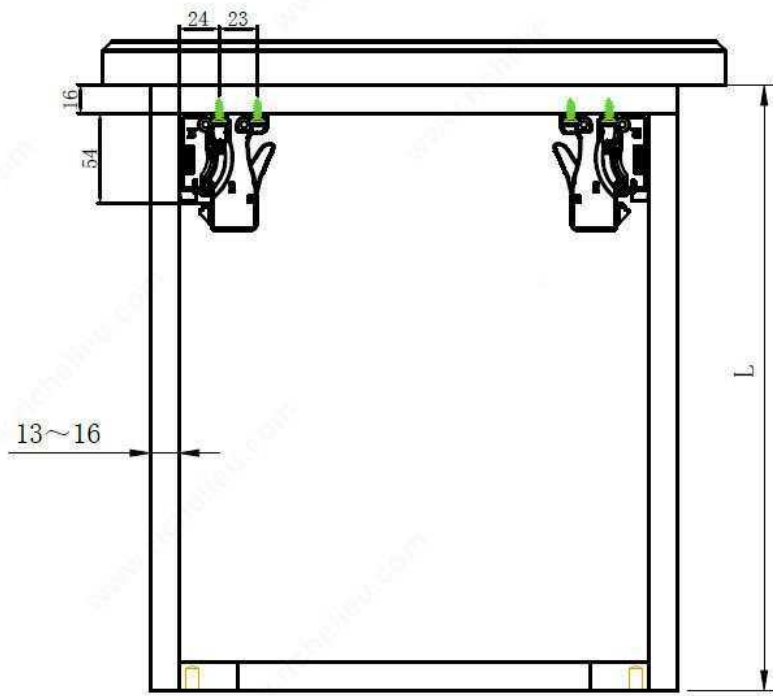
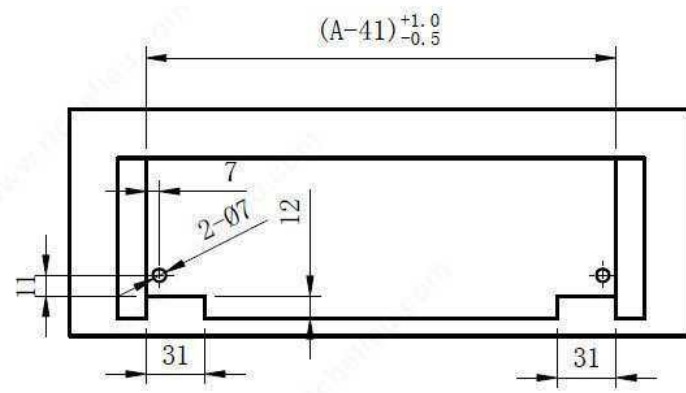
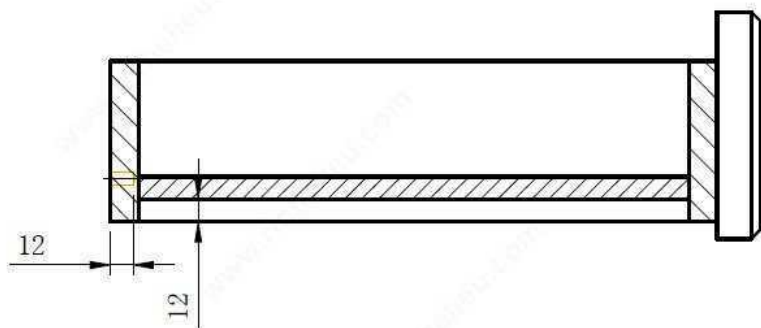


$(A-41)_{-0.5}^{+1.0}$



Nominal length	9"	12"	15"	18"	21"
Drawer length	229	305	381	457	533
Inside Cabinet depth(min.)L1	261	358	416	494	568
Inside Cabinet depth(max.)L1	/	366	436	514	588