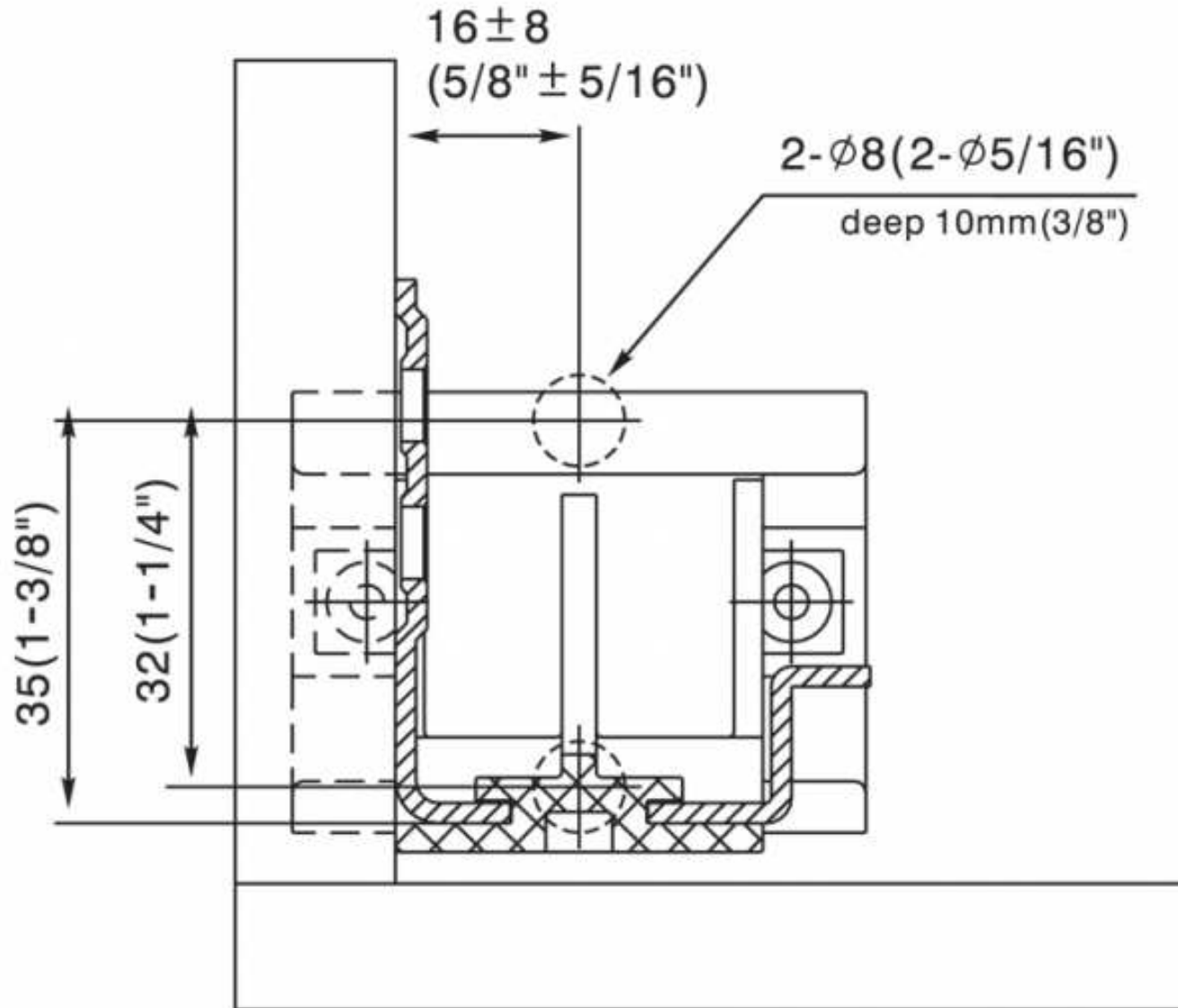
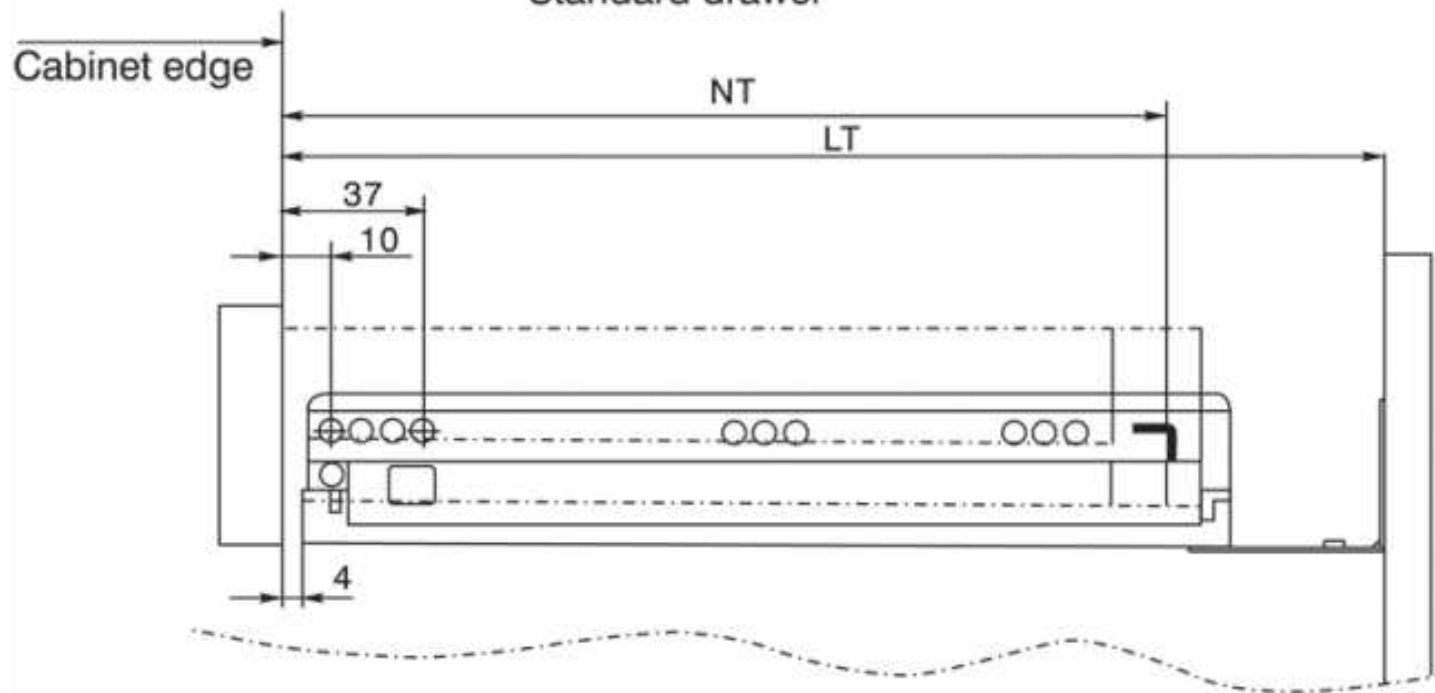


Plastic Rear Mounting Bracket

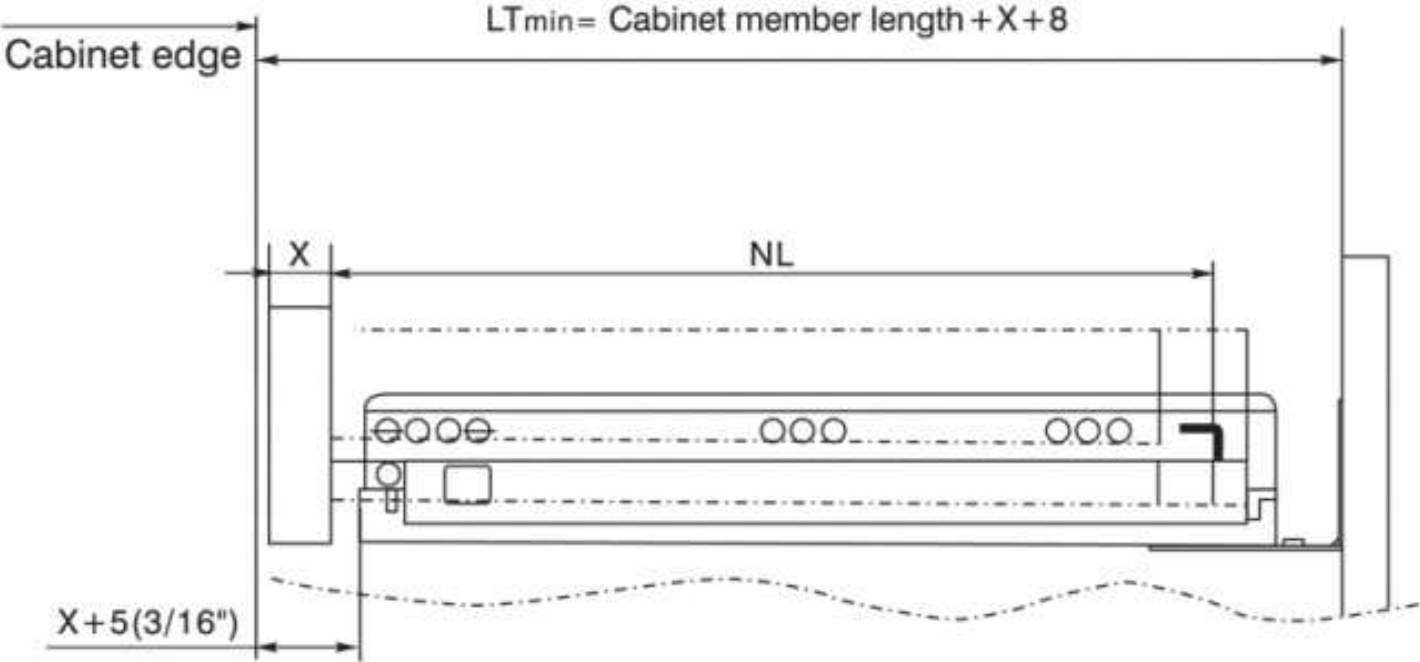


Standard drawer



NL = Nominal Slide Length LT = Internal cabinet Depth

Inner drawer



SKW = Internal Drawer Width

LW = Internal Cabinet Width

