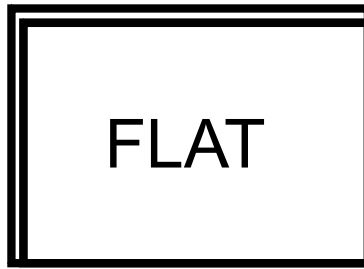
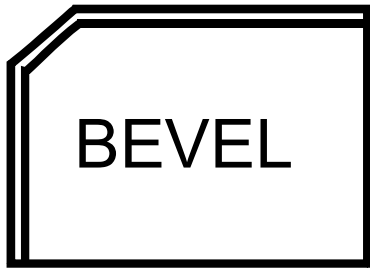


1. SELECT MAIN EDGE PROFILE



2. ENTER COLOR INFORMATION

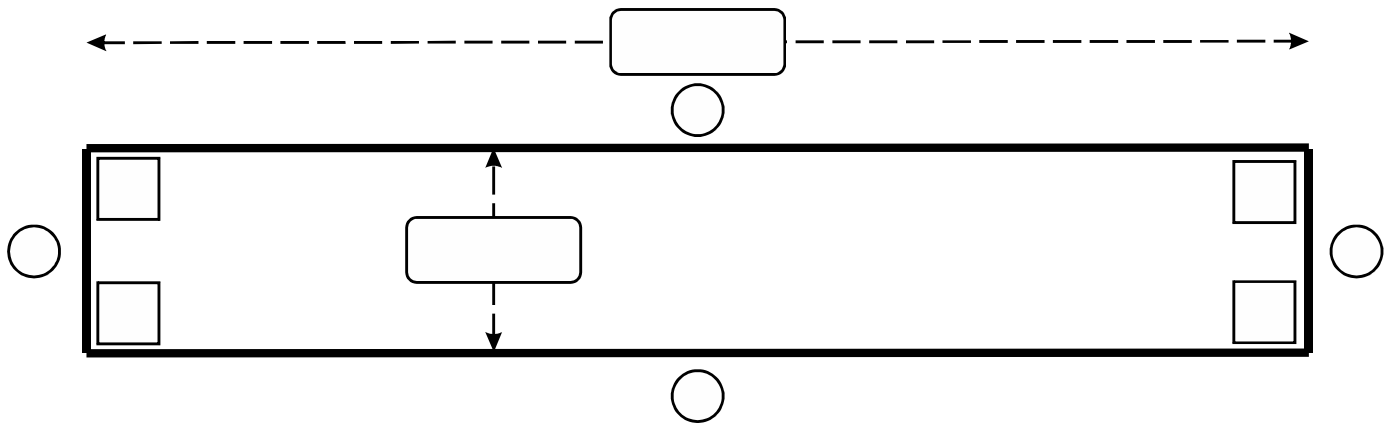
QTY Color / Pattern No. - Finish / Texture (ex: 1573-60)

Color / Pattern Name (ex: Frosty White)

3. KEY

- ⓕ = flat laminated
- Ⓢ = unfinished
- Ⓣ = splash
- Ⓟ = profiled edge
- Ⓡ = radius (only on flat edges)

4. ENTER DIMENSIONS AND EDGE INFO (from # 3 above)



*** Countertops will be shipped unassembled at joints. All assembly hardware will be included.