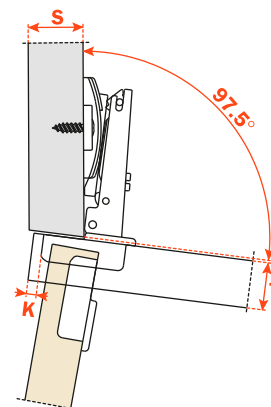
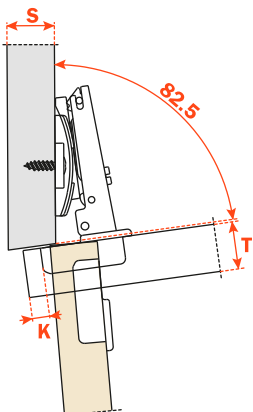
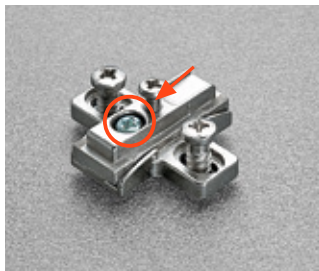


Series 200 mounting plates with traditional assembly

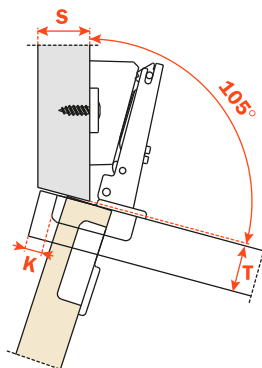
- Die-cast mounting plates for special assemblies. For hinges Series 100, 200, 400, 600, 900, F, B and Silentia.
- An almost infinite variety of angle door applications is possible using variable-angle mounting plates in conjunction with one of Salice's range of angled-arm hinges; from -45° to $+70^{\circ}$.

Variable-angle mounting plates for angled assembly from $+7.5^{\circ}$ to -7.5° and intermediate angles by adjusting the set screw indicated.



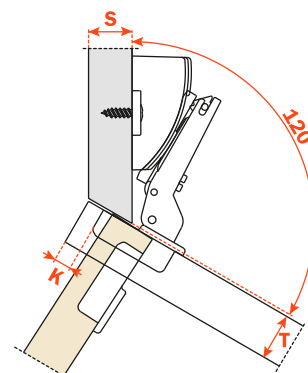
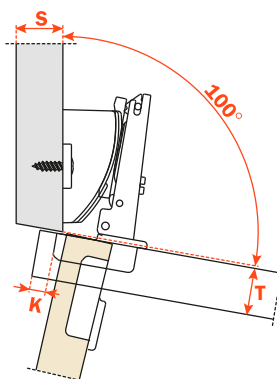
Assembly example from 82.5° to 97.5° angle.

Angled mounting plates for assembly at 15° .



Assembly example with a 105° angle.

Variable-angle mounting plate for angled assembly from $+10^{\circ}$ to $+30^{\circ}$ and intermediate angles by adjusting the set screw indicated.



Assembly example from 100° to 120° angle.